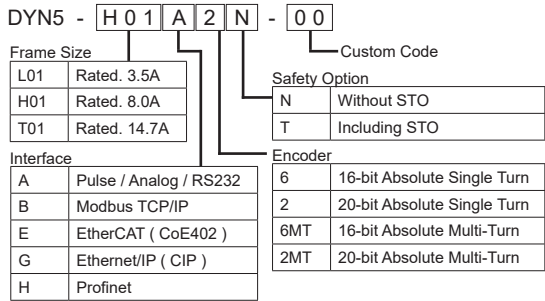


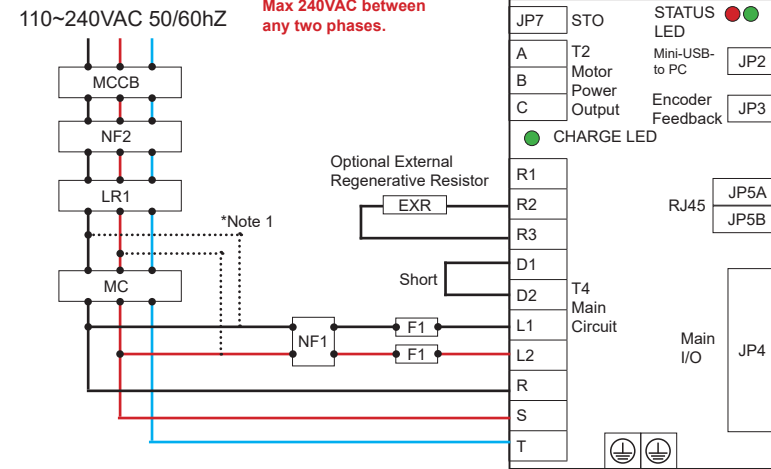
Model Number



Connector and Wire

Port	Servo Drive	Drive Connector	Connector Mate	Wire Min	Wire Max
JP3 Encoder Feedback	All	3M 3E106	3M 3E206 (Plug) 3M 3E306 (Shell Kit)	0.31mm ² / AWG 24	0.8mm ² / AWG 18
JP4 Main I/O	All	3M 10250	3M 10150 (Plug) 3M 10350 (Shell Kit)	0.08mm ² / AWG 28	0.13mm ² / AWG 26
T2 Motor Power	All	TE 1-2013519-3	TE 1-2134249-3 Tool: 1981045-1	1.25mm ² / AWG 16	2mm ² / AWG 14
T4 Main Circuit	L01, H01, T01	TE 1-2013519-0	TE 1-2134249-0 Tool: 1981045-1	0.5mm ² / AWG 20 0.8mm ² / AWG 18 1.3mm ² / AWG 16	2mm ² / AWG 14 2mm ² / AWG 14 2mm ² / AWG 14
JP7 STO Interface	All	Molex 0430450600	Molex 0430250600	0.31mm ² / AWG 24	0.8mm ² / AWG 18

Main Wiring



Part	Recommended Current Rating		
	L01	DYN5-H01	DYN5-T01
MCCB Molded case circuit breaker	10A	20A	30A
NF2 Main Noise Filter	5A FN2030-6-06	10A FN2030-10-06	15A FN2030-16-06
LR1 AC Line Reactor (optional)	5A	10A	15A
MC1 Magnetic contactor	5A	10A	15A
F1 Logic Fuse	1A		
NF1 Logic Noise Filter	1A FN2030-1-06		

*Note 1: Depending on application requirement, power to Logic L1/ L2 can be connected before or after MC1 contactor. If connecting before MC1, ensure servo drive is Disabled if L1/L2 is powered and R/S/T is not powered.

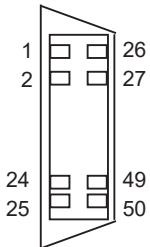
*Note 2: If DC Reactor or DC Link Safety Relay is not used, short the connection between D1 and D2.

*Note 3: DN4-T01 servo drive has built-in regenerative resistor. To activate, short terminals R1 and R2.

*Note 4: For single phase wiring, eliminate Blue wire.

I/O Wiring

JP4 Layout

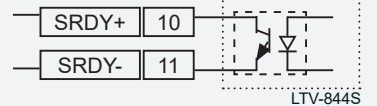


* Shown as viewed into servo drive from front

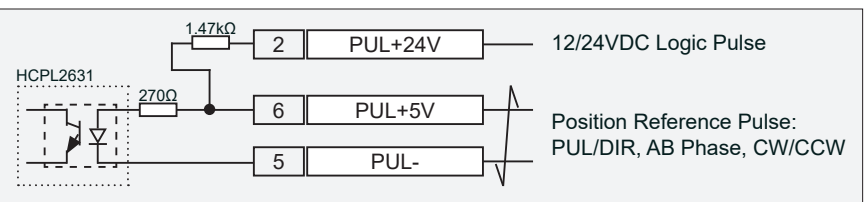
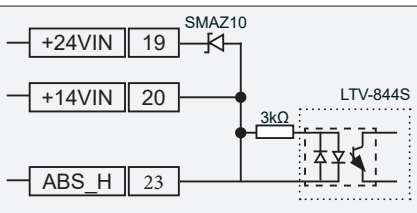
JP4

Pin	NAME	Pin	NAME
1	DIR+ 24V	26	NC
2	PUL+ 24V	27	AIN+
3	DIR-	28	AIN-
4	DIR+ 5V	29	GND
5	PUL-	30	GND
6	PUL+ 5V	31	NC
7	MO IQ	32	NC
8	MO POSERR	33	NC
9	MO ABSPOS	34	+5VOUT
10	SRDY+	35	NC
11	SRDY-	36	NC
12	BKO+	37	NC
13	BKO-	38	+14VOUT
14	ONPOS+	39	GND
15	ONPOS-	40	GND
16	ALM+	41	NC
17	ALM-	42	ENC OZ-
18	NC	43	ENC OZ+
19	+24VIN	44	ENC Z-
20	+14VIN	45	ENC Z+
21	SHOLD	46	ENC B-
22	ENABLE	47	ENC B+
23	ABS_H	48	ENC A-
24	RESET	49	ENC A+
25	NC	50	NC

General Outputs: SRDY+, BKO, ONPOS, ALM



General Inputs: ENA, SHOLD, ABS_H, RESET



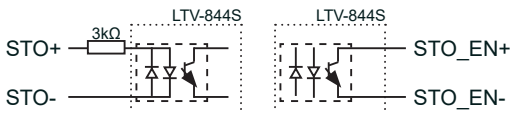
*Note 1: Pin34 (+5VDC OUT) and Pin38 (+14VDC) should only be used to power drive I/O signals. Do not use to power external devices. Max 300mA current draw.

JP7 Layout



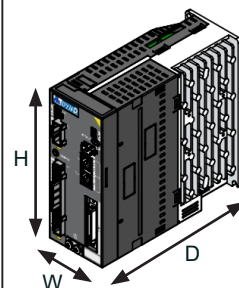
JP7

Pin	Name	Pin	Name
3	STO1+	6	STO1-
2	STO2+	5	STO2-
1	STO EN-	4	STO EN+



If STO option installed, both STO1 and STO2 must be Low to activate drive control circuit. STO_EN outputs Low if drive control circuit ON.

Dimension + Mounting [mm]



Drive	W	H	D
L01	40	160	171
H01	65	160	171
T01	90	160	171

Environment:
 Temperature - 0~55°C
 Humidity: Max. 95RH%
 Protection: IP10

* Leave 80mm in front of servo drive for cable spacing.
 * Leave at least 5mm space between servo drive top, bottom, left, right sides.
 * Mounting holes are 5.2mm diameter, 4.5mm distance from sides.